

30' GAS-TANKCONTAINER | 30' GAS TANK CONTAINER



42.200 Liter ortsbeweglicher Gas-Tankcontainer, Typ T50, ADR/RID

42,200 liter portable gas tank container, type T50, ADR/RID

Technische Daten | technical details

■ Typ Type	30' Gas-Tankcontainer für Europa 30' gas tank container european domestic	■ Stärke der Tankwand Shell manufacturing thickness	15 mm 15 mm
■ Nominale Kapazität Nominal Capacity	42.200 l 42,200 l	■ Metallurgische Auslegungstemperatur Metallurgic Design Temperatur for Tank	-40 bis +55°C -40 to +55°C
■ Gesamtgewicht Max. gross weight	36.000 kg 36,000 kg	■ Max. zulässiger Betriebsdruck Maximum allowable working pressure	22 bar 22 bar
■ Eigengewicht Tare Weight	10.920 kg 10,920 kg	■ Prüfdruck Test pressure	29,8 bar 29,8 bar
■ Länge Lenght	9.125 mm 9,125 mm	■ Werkstoff Shell material	Kohlenstoffstahl SA-612M N Carbon steel SA-612M N
■ Breite Width	2.550 mm 2,550 mm		
■ Höhe Height	2.675 mm 2,675 mm		

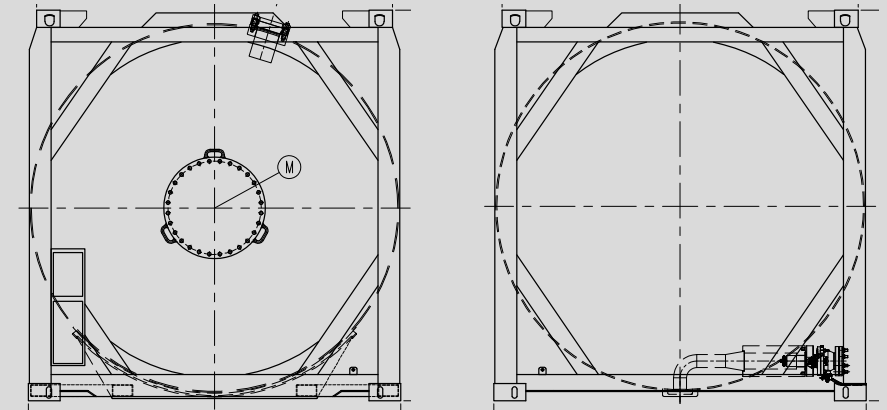
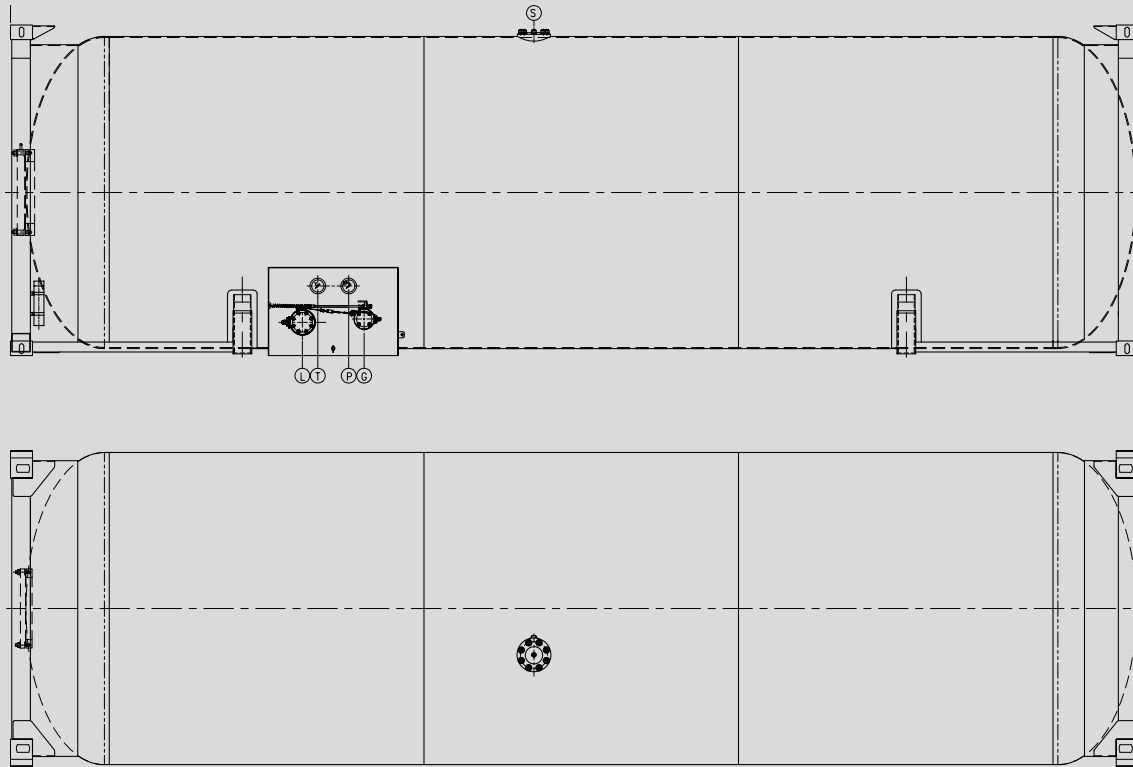
VTG Rail Europe GmbH
Nagelsweg 34
20097 Hamburg
Germany

Tel.: +49 40 2354-0
info@vtg.com
www.vtg.com

30' GAS-TANKCONTAINER | 30' GAS TANK CONTAINER



42.200 Liter ortsbeweglicher Gas-Tankcontainer, Typ T50, ADR/RID
42,200 liter portable gas tank container, type T50, ADR/RID



30' GAS-TANKCONTAINER | 30' GAS TANK CONTAINER



42.200 Liter ortsbeweglicher Gas-Tankcontainer, Typ T50, ADR/RID

42,200 liter portable gas tank container, type T50, ADR/RID

PRODUCTS LIST FOR 42,200 LITERS T50 UN PORTABLE TANK CONTAINER		
UN No.	PROPER SHIPPING NAME	MAX. PERMISSIBLE LOAD MASS(kg)
1005	Ammonia, anhydrous	22365
1010	BUTADIENES, STABILIZED	23210
1011	BUTANE	21520
1012	BUTYLENE	22365
1018	Chloropentafluoroethane(R22)	25080
1021	1-Chloro-1,2,2,2-tetrafluoroethane(R124)	25080
1027	Cyclopropane	22365
1028	Dichlorodifluoromethane(R12)	25080
1029	Dichlorofluoromethane(R21)	25080
1030	1,1-Difluoroethane(R152a)	25080
1032	Dimethylamine, anhydrous	24895
1033	Dimethyl ether	24475
1036	Ethylamine	25080
1037	Ethyl chloride	25080
1055	Isobutylene	21945
1060	Methylacetylene and propadiene mixture, stabilized	18145
1061	Methylamine, anhydrous	24475
1063	Methyl chloride(R40)	25080
1075,1077	LPG, Propylene	18145
1075,1078	LPG, Propane	17725
1083	Trimethylamine, anhydrous	23630
1085	Vinyl bromide, stabilized	25080
1086	Vinyl chloride, stabilized	25080
1087	Vinyl methyl ether, stabilized	25080
1965	Hydrocarbon gas mixture (10%Propane, 90%Butane)	21100
1965	Hydrocarbon gas mixture (20%Propane, 80%Butane)	20675
1965	Hydrocarbon gas mixture (24%Propane, 76%Butane)	20675
1965	Hydrocarbon gas mixture (30%Propane, 70%Butane)	20255
1965	Hydrocarbon gas mixture (40%Propane, 60%Butane)	20255
1965	Hydrocarbon gas mixture (50%Propane, 50%Butane)	20255
1965	Hydrocarbon gas mixture (60%Propane, 40%Butane)	19835
1965	Hydrocarbon gas mixture (70%Propane, 30%Butane)	19410
1965	Hydrocarbon gas mixture (80%Propane, 20%Butane)	18990
1965	Hydrocarbon gas mixture (90%Propane, 10%Butane)	18565
1965	Hydrocarbon gas mixture (All percentages Propane/Butane)	17725
1965	Hydrocarbon gas mixture (75%isopentane, 25%isobutane)	22785
1965	Hydrocarbon gas mixture (5%ethane, 95%Propane)	17725
1969	ISOBUTANE	20675
2517	1-CHLORO-1,1-DIFLUOROETHANE(R142b)	25080
2602	R12 (74%)/R152a Mixture(R500)	25080
3159	1,1,1,2-TETRAFLUOROETHANE(R134a)	25080
3161	REFRIGERANT GAS R134a/DME(65/35)	25080
3161	REFRIGERANT GAS R134a/DME(70/30)	25080
3161	REFRIGERANT GAS R134a/DME(75/25)	25080
3161	REFRIGERANT GAS R134a/DME(93/7)	25080
3161	REFRIGERANT GAS R134a/DME(DME<7%)	25080
3161	REFRIGERANT GAS R134a/R152a(25/75)	25080
3161	REFRIGERANT GAS R134a/R152a(30/70)	25080
3161	REFRIGERANT GAS R134a/R152a(40/60)	25080
3161	REFRIGERANT GAS R134a/R152a(50/50)	25080

PRODUCTS LIST FOR 42,200 LITERS T50 UN PORTABLE TANK CONTAINER		
UN No.	PROPER SHIPPING NAME	MAX. PERMISSIBLE LOAD MASS(kg)
3161	REFRIGERANT GAS R134a/R152a(70/30)	25080
3161	REFRIGERANT GAS R134a/R152a(75/25)	25080
3161	REFRIGERANT GAS R134a/R152a(85/15)	25080
3161	REFRIGERANT GAS R134a/R152a(86/14)	25080
3161	REFRIGERANT GAS R134a/R152a/DME(33/53/14)	25080
3161	REFRIGERANT GAS R152a/DME(30/70)	25080
3161	REFRIGERANT GAS R152a/DME(75/25)	25080
3161	REFRIGERANT GAS R152a/DME(80/20)	25080
3161	REFRIGERANT GAS R152a/DME(85/15)	25080
3161	REFRIGERANT GAS R152a/DME(90/10)	25080
3161	REFRIGERANT GAS DME/ISOBUTANE(10/90)	21100
3161	REFRIGERANT GAS DME/ISOBUTANE(20/80)	21520
3161	REFRIGERANT GAS DME/ISOBUTANE(30/70)	21945
3161	REFRIGERANT GAS DME/ISOBUTANE(40/60)	22365
3161	REFRIGERANT GAS DME/ISOBUTANE(50/50)	22785
3161	REFRIGERANT GAS DME/ISOBUTANE(60/40)	23210
3161	REFRIGERANT GAS DME/ISOBUTANE(80/20)	24055
3161	REFRIGERANT GAS DME/ISOBUTANE(90/10)	24475
3161	REFRIGERANT GAS DME/ISOBUTANE(all percentages)	20675
1078/3163	1,1,1,3,3-PENTAFLUOROPROPANE(R245fa)	25080
1078/3163	2,2-Dichloro-1,1,1-trifluoroethane (R123)	25080
1078/3163	REFRIGERANT GAS R134a/DME(95.7/4.3)	25080
1078/3163	REFRIGERANT GAS R134a/DME(96.6/3.4)	25080
1078/3163	REFRIGERANT GAS R134a/DME(DME<7%)	25080
1078/3163	REFRIGERANT GAS R134a/DME(DME<4%)	25080
1078/3163	REFRIGERANT GAS R134a/DME(DME=7%)	25080
1078/3163	REFRIGERANT GAS R134a/R143a(60/40)	25080
1078/3163	REFRIGERANT GAS R134a/R152a(86.1/13.9)	25080
1078/3163	REFRIGERANT GAS R134a/R152a(87/13)	25080
1078/3163	REFRIGERANT GAS R142b/R22(40/60)	25080
1078/3163	REFRIGERANT GAS R142b/R22(60/40)	25080
1078/3163	REFRIGERANT GAS R22/R124/R142b/(65/25/10)	25080
1078/3163	REFRIGERANT GAS R401a	25080
1078/3163	REFRIGERANT GAS R401b	25080
1078/3163	REFRIGERANT GAS R401c	25080
1078/3163	REFRIGERANT GAS R406a	25080
1078/3163	REFRIGERANT GAS R407a	25080
1078/3163	REFRIGERANT GAS R409a	25080
1078/3163	REFRIGERANT GAS R409b	25080
1078/3163	REFRIGERANT GAS R413a	25080
1078/3163	REFRIGERANT GAS R417a	25080
1078/3163	REFRIGERANT GAS R423a	25080

VTG Rail Europe GmbH
 Nagelsweg 34
 20097 Hamburg
 Germany

Tel.: +49 40 2354-0
 info@vtg.com
 www.vtg.com